

piPREMIUM upgrade kit C56-600 & C56-800



- The kit is a plug-and-play assembly for a quick changeover to replace the Maxi L pump and top module
- COAX® patented technology
- Side mounted for low building height
- High vacuum flow
- Compact size and low weight
- Low noise level
- Modular design
- Pneumatic valve for compressed air to shock tank and mounting plate for the C series are included

Technical data

Description	Unit	Value
Material		ASTM 316L, Al, SS, PA, PP, NBR
Temperature range	°C	0-60
Weight	kg	16
Feed pressure, max.	MPa	0.7
Feed pressure, range	MPa	0.4-0.6
Vacuum range	-kPa	60-75
Noise level	dB(A)	69-77

Technical data, specific

Description	Unit	Value	0201601	0201166
Air consumption, range	NI/s		30-42	40-56

Vacuum flow piPREMIUM600

Feed pressure* MPa	Air consumption NI/s	Vacuum flow (NI/s) at different vacuum levels (-kPa)								Max vacuum -kPa
		0	10	20	30	40	50	60	70	
0.40	30	120	70	46	29	19.2	9.6	2.4	—	60
0.50	36	137	79	53	34	20.4	14.9	8.4	4.3	70
0.60	42	144	84	62	41	21.6	14.4	12.0	8.4	75

*Feed pressure tolerance, +/- 0.01 MPa

Vacuum flow piPREMIUM800

Feed pressure* MPa	Air consumption NI/s	Vacuum flow (NI/s) at different vacuum levels (-kPa)								Max vacuum -kPa
		0	10	20	30	40	50	60	70	
0.40	40	157	87	61	38	26	12.8	3.2	—	60
0.50	48	167	98	70	45	27	19.8	11.2	5.8	70
0.60	56	170	106	83	54	29	19.2	16.0	11.2	75

*Feed pressure tolerance, +/- 0.01 MPa

Ordering information

Description

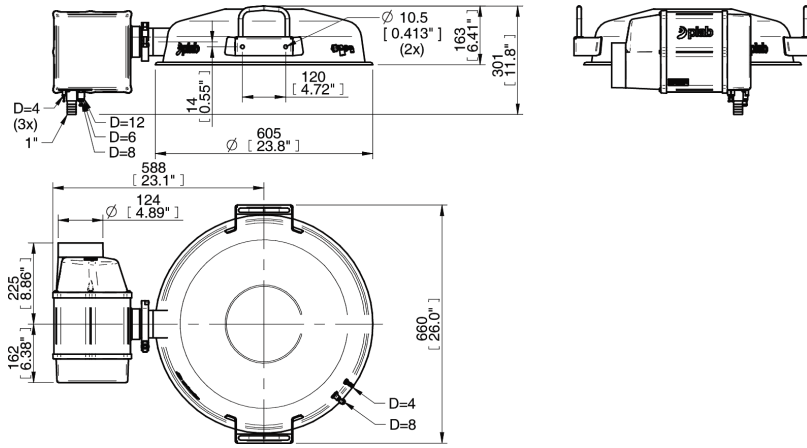
Art. No.

piPREMIUM upgrade kit C56-600

0201601

piPREMIUM upgrade kit C56-800

0201166



Ordering information,
accessories

Description

Art. No.

Regulator kit piFLOW®p 1" 600-800

0104491

Wall mounting kit pump piPREMIUM 600-800

0201025