

## piPREMIUM upgrade kit C56-1200 & C56-1600



- The kit is a plug-and-play assembly for a quick changeover to replace the Maxi L pump and top module
- COAX® patented technology
- Side mounted for low building height
- High vacuum flow
- Compact size and low weight
- Low noise level
- Modular design
- Pneumatic valve for compressed air to shock tank and mounting plate for the C series are included

### Technical data

Description	Unit	Value
Material		ASTM 316L, Al, SS, PA, PP, NBR
Temperature range	°C	0-60
Weight	kg	25
Feed pressure, max.	MPa	0.7
Feed pressure, range	MPa	0.4-0.6
Vacuum range	-kPa	60-75
Noise level	dB(A)	69-77

### Technical data, specific

Description	Unit	Value	0201172	0201173
Air consumption, range	NI/s	60-84	80-112	

### Vacuum flow piPREMIUM1200

Feed pressure* MPa	Air consumption NI/s	Vacuum flow (NI/s) at different vacuum levels (-kPa)								Max vacuum -kPa
		0	10	20	30	40	50	60	70	
0.40	60	240	139	91	58	38	19.2	4.8	—	60
0.50	72	274	158	106	67	41	30	16.8	8.6	70
0.60	84	288	168	125	82	43	29	24.0	16.8	75

\*Feed pressure tolerance, +/- 0.01 MPa

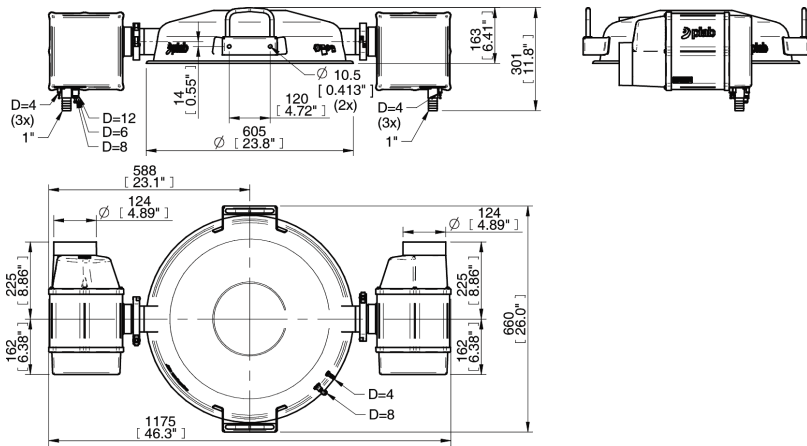
### Vacuum flow piPREMIUM1600

Feed pressure* MPa	Air consumption NI/s	Vacuum flow (NI/s) at different vacuum levels (-kPa)								Max vacuum -kPa
		0	10	20	30	40	50	60	70	
0.40	80	314	174	122	77	51	26	6.4	—	60
0.50	96	334	196	141	90	54	40	22.4	11.5	70
0.60	112	340	212	166	109	58	38	32	22.4	75

\*Feed pressure tolerance, +/- 0.01 MPa

### Ordering information

Description	Art. No.
piPREMIUM upgrade kit C56-1200	0201172
piPREMIUM upgrade kit C56-1600	0201173



### Ordering information, accessories

Description	Art. No.
Regulator kit piFLOW®p 1" 1200-1600 (0104491 x2)	0201782
Wall mounting kit pump piPREMIUM 1200-1600 (0201025 x2)	0201786