

piPREMIUM upgrade kit C33-1200



- The kit is a plug-and-play assembly for a quick changeover to replace the Maxi L pump and top module
- COAX® patented technology
- Side mounted for low building height
- High vacuum flow
- Compact size and low weight
- Low noise level
- Modular design
- Pneumatic valve for compressed air to shock tank and mounting plate for the C series are included

Technical data

Description	Unit	Value
Material		ASTM 316L, AI, SS, PA, PP, NBR
Temperature range	°C	0-60
Weight	kg	21
Feed pressure, max.	MPa	0.7
Feed pressure, range	MPa	0.4-0.6
Air consumption, range	NI/s	60-84
Vacuum range	-kPa	60-75
Noise level	dBa	69-77

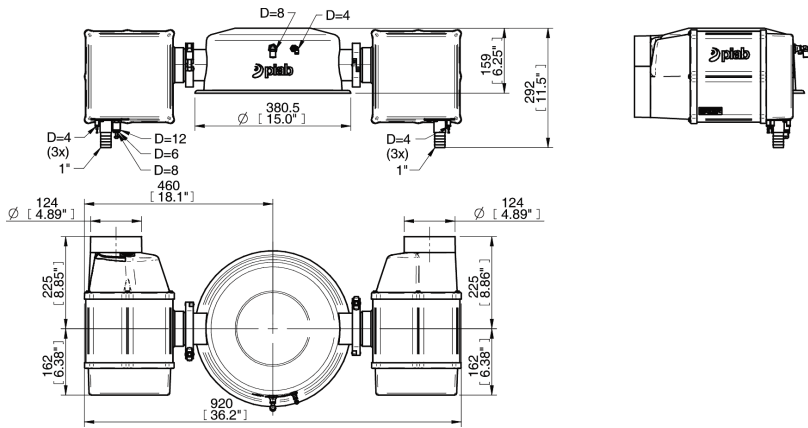
Vacuum flow piPREMIUM1200

Feed pressure* MPa	Air consumption NI/s	Vacuum flow (NI/s) at different vacuum levels (-kPa)									Max vacuum -kPa
		0	10	20	30	40	50	60	70	70	
0.40	60	240	139	91	58	38	19.2	4.8	—	60	
0.50	72	274	158	106	67	41	30	16.8	8.6	70	
0.60	84	288	168	125	82	43	29	24.0	16.8	75	

*Feed pressure tolerance, +/- 0.01 MPa

Ordering information

Description	Art. No.
piPREMIUM upgrade kit C33-1200	0201126



Ordering information, accessories

Description	Art. No.
Regulator kit piFLOW®p 1" 1200-1600 (0104491 x2)	0201782
Wall mounting kit pump piPREMIUM 1200-1600 (0201025 x2)	0201786